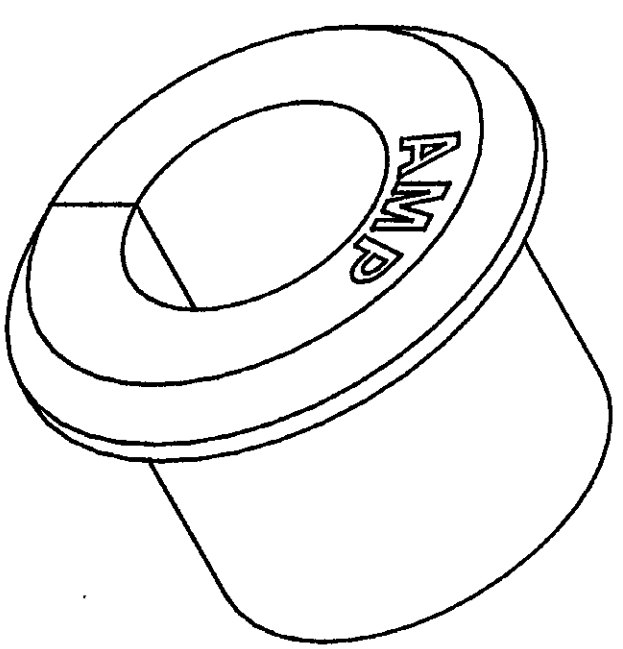
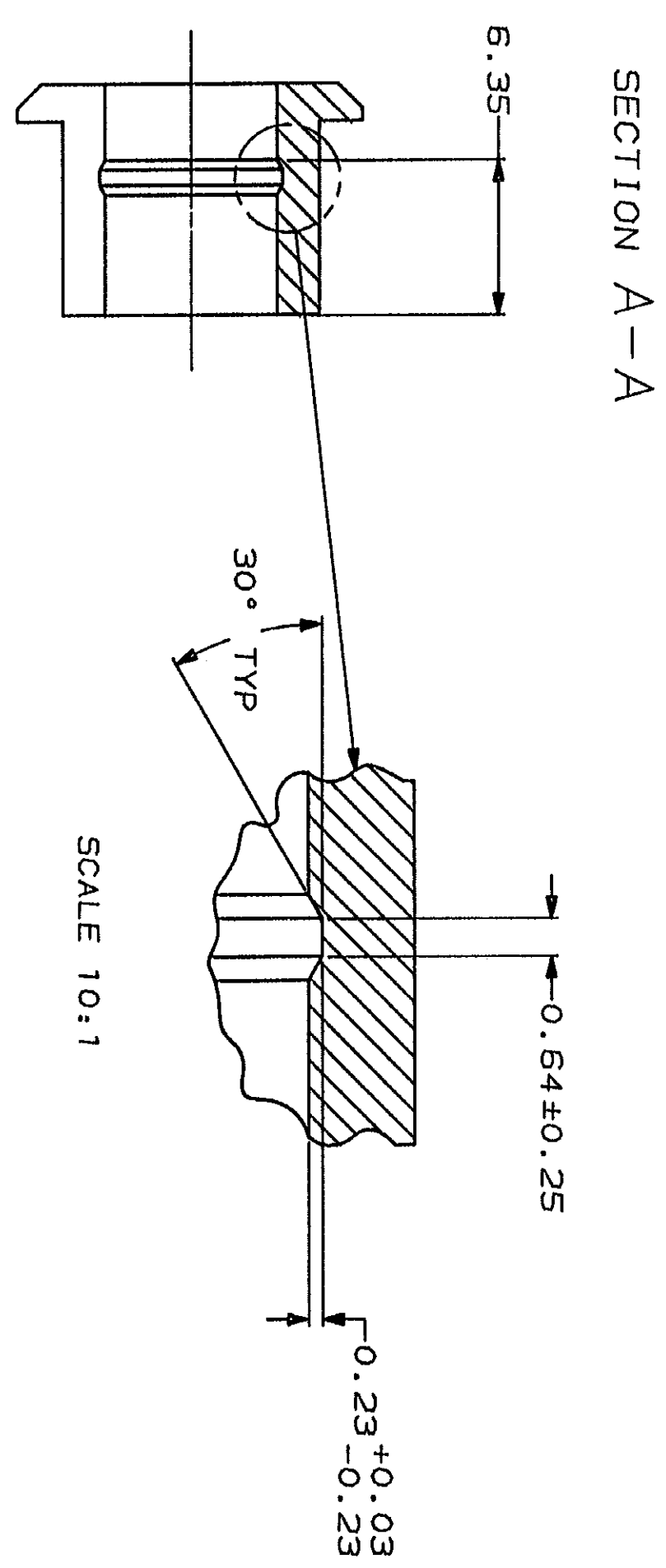
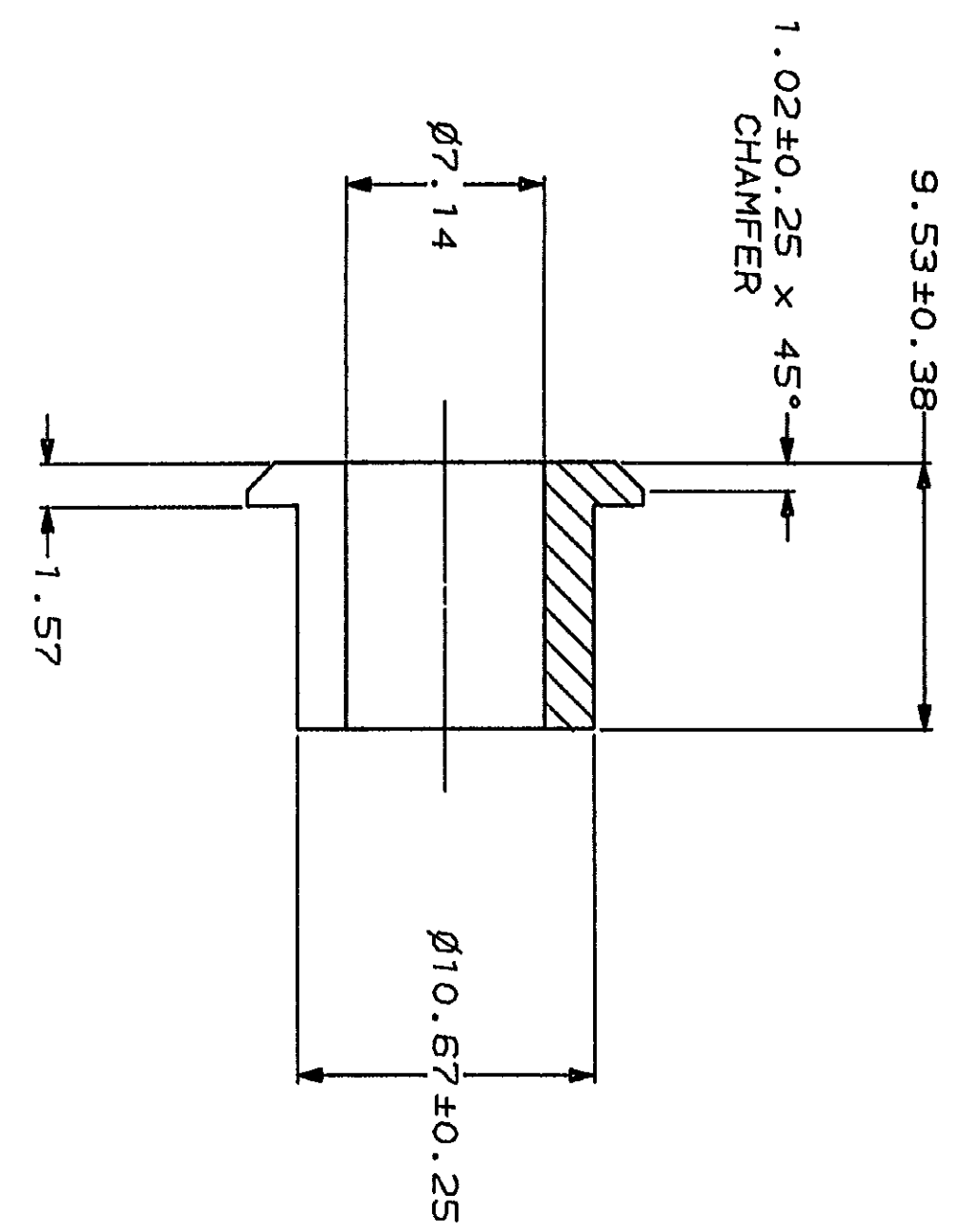
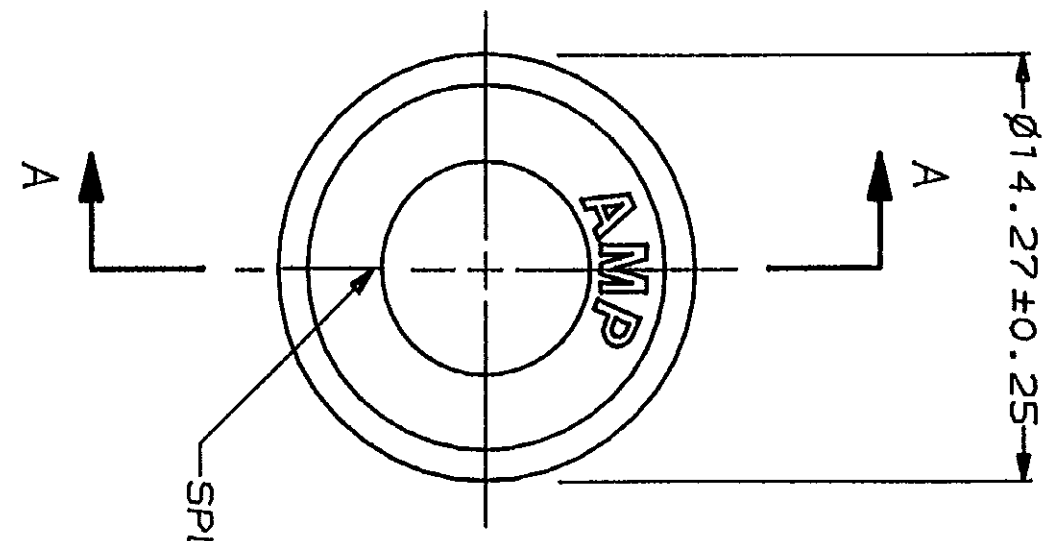


LOC	DIST	REV	ZONE	LTR	DESCRIPTION	DATE	APPD
CM	53	P			REDWN AND REV PER ECN CM-2599	12-6-89	KU
		V					RS

1. USE WITH STRAIN RELIEF 350374.
 ▲ MOLDING COMPOUND PVC, FLEXIBLE, 55/75 DUREOMETER (B SCALE), BLACK.



3-DIMENSIONAL MODEL
 NTS

0.38	.015	7.14	.281	-	-
0.25	.010	6.35	.250	-	-
0.23	.009	1.57	.062	14.27	.562
0.13	.005	1.02	.040	10.67	.420
0.03	.001	0.64	.025	9.53	.375
MM	IN	MM	IN	MM	IN

CONVERSION TABLE

METRIC

DO NOT SCALE PRINT.
 UNLESS SPECIFIED DIMENSIONS IN MM (INCHES) TOLERANCES ON:
 2 PLC DEC ± 0.13
 3 PLC DEC ± 1.0°
 ANGLES
 MATERIAL

DR: *[Signature]* 12-7-89
 CHK: *[Signature]* 12-8-89
 APPD: *[Signature]* 12-11-89
 NAME: GROMMET, SPLIT, M.R.
 AMP INCORPORATED
 Harrisburg, Pa. 17105

FINISH	-	SIZE	CAGE CODE	DRAWING NO
WEIGHT	-	SCALE	00779	350380
APPLICATION SPEC	-	SCALE	4:1	SHEET
PRODUCT SPEC	-			1 OF 1

1-350380-1
 PART NO

350380